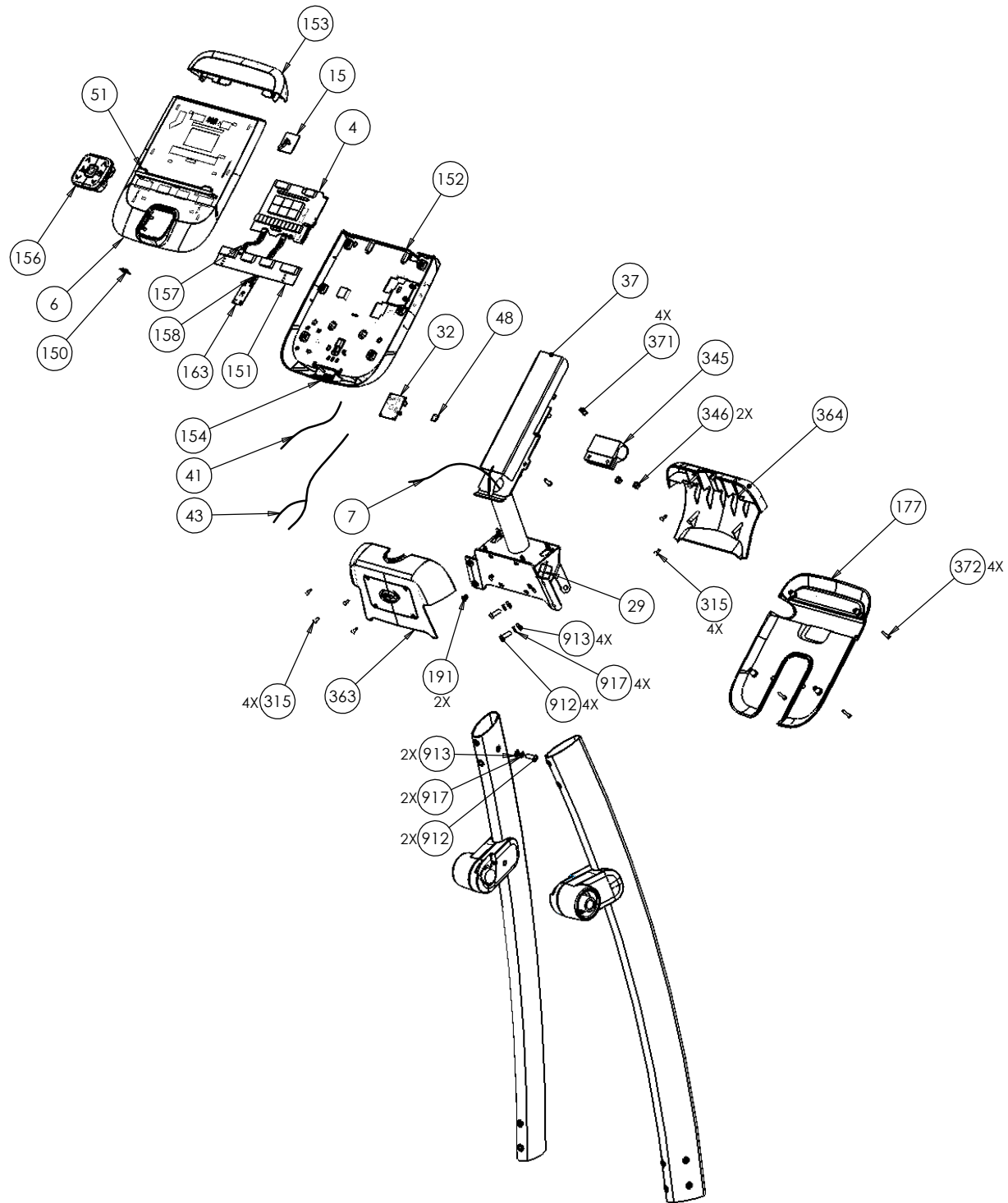
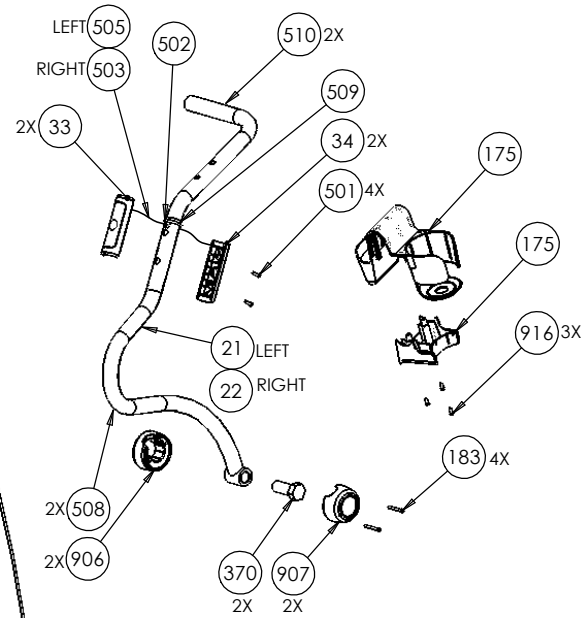
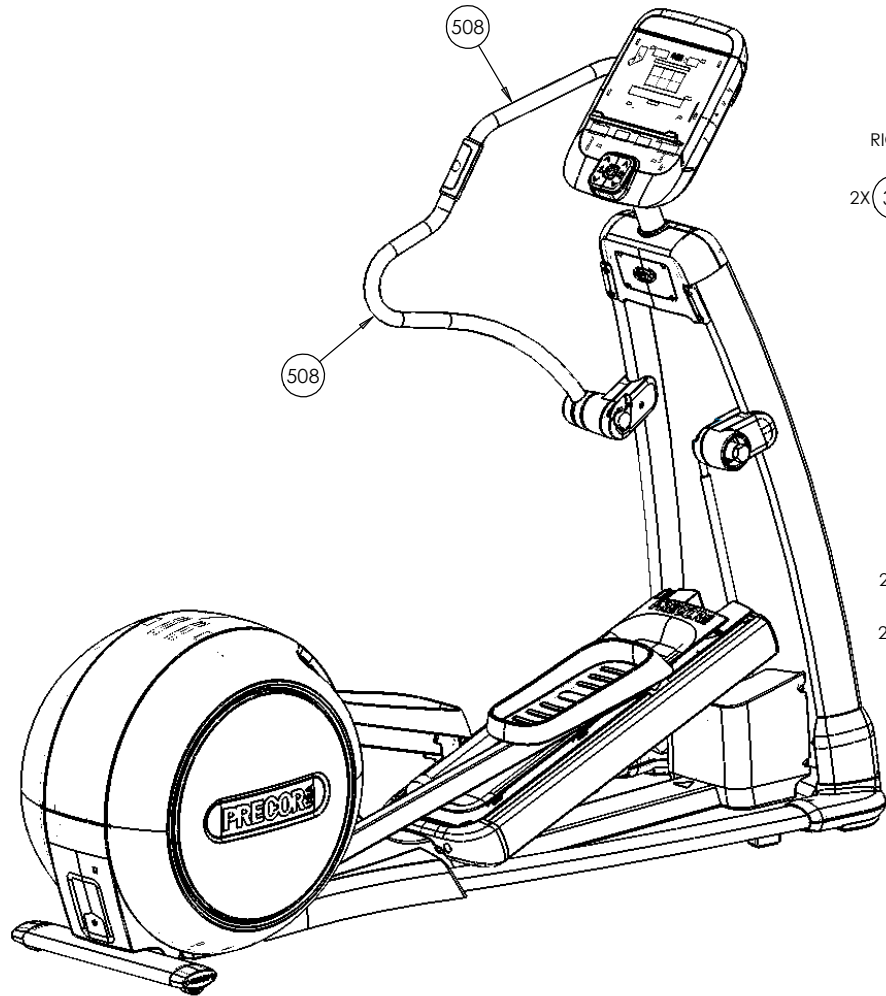
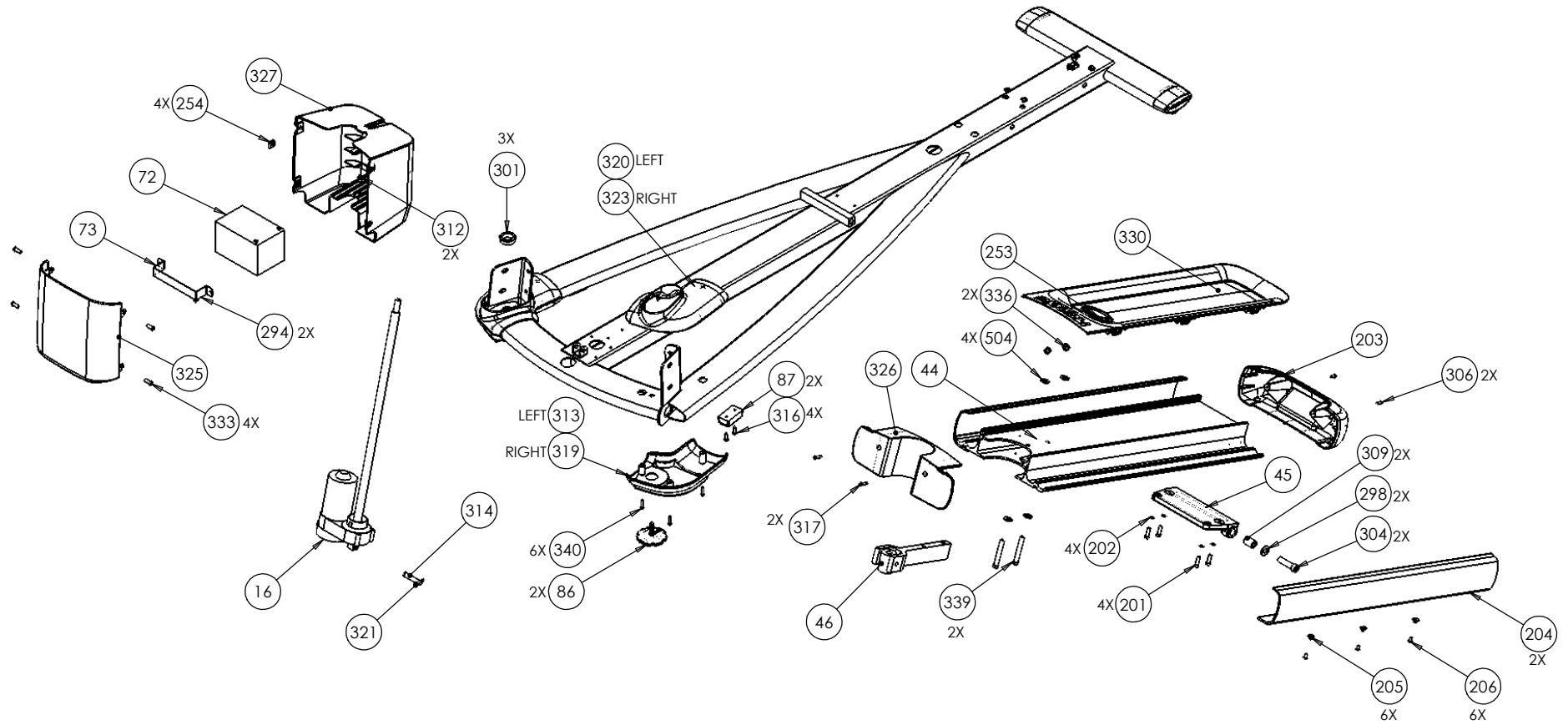
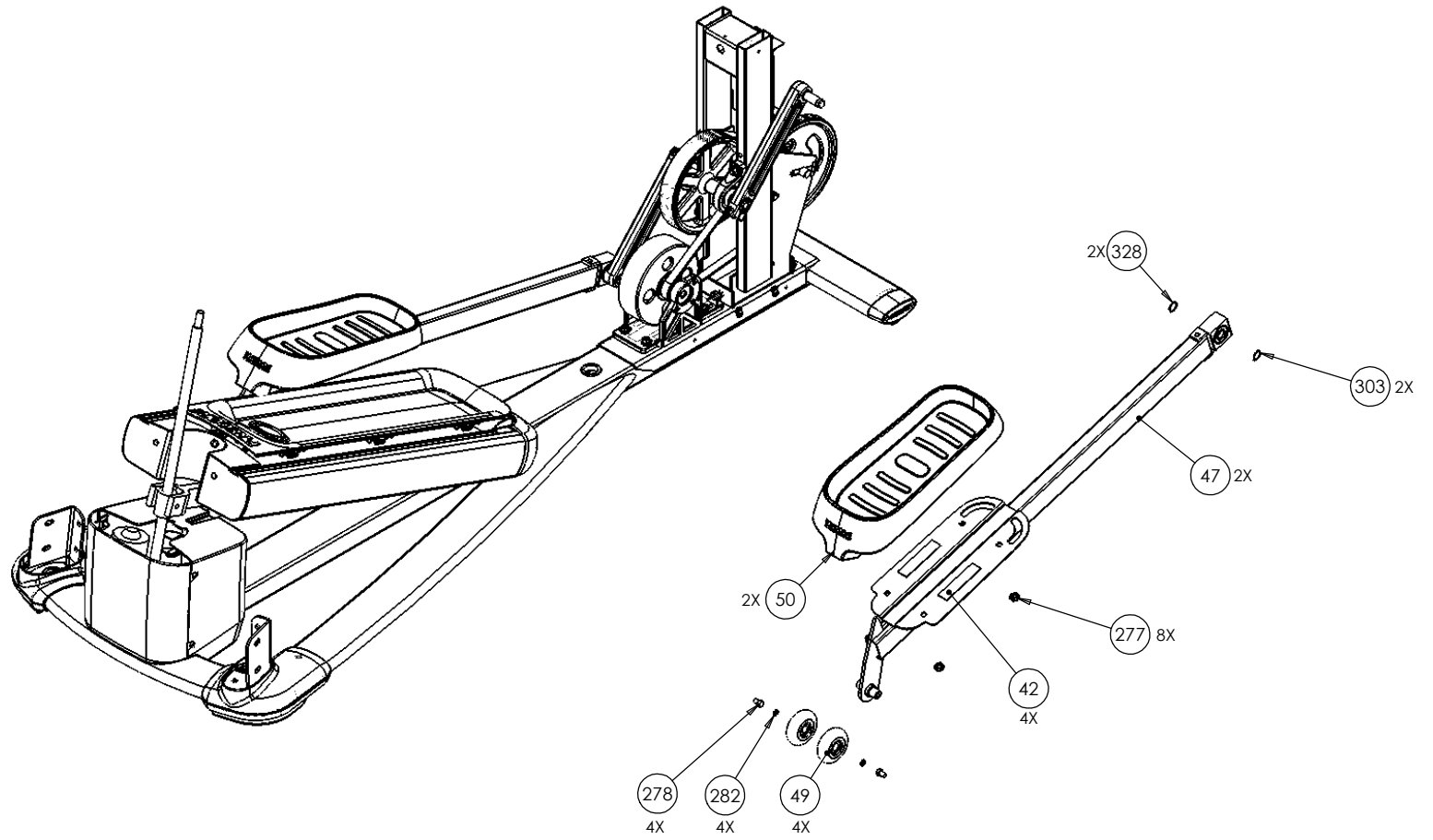


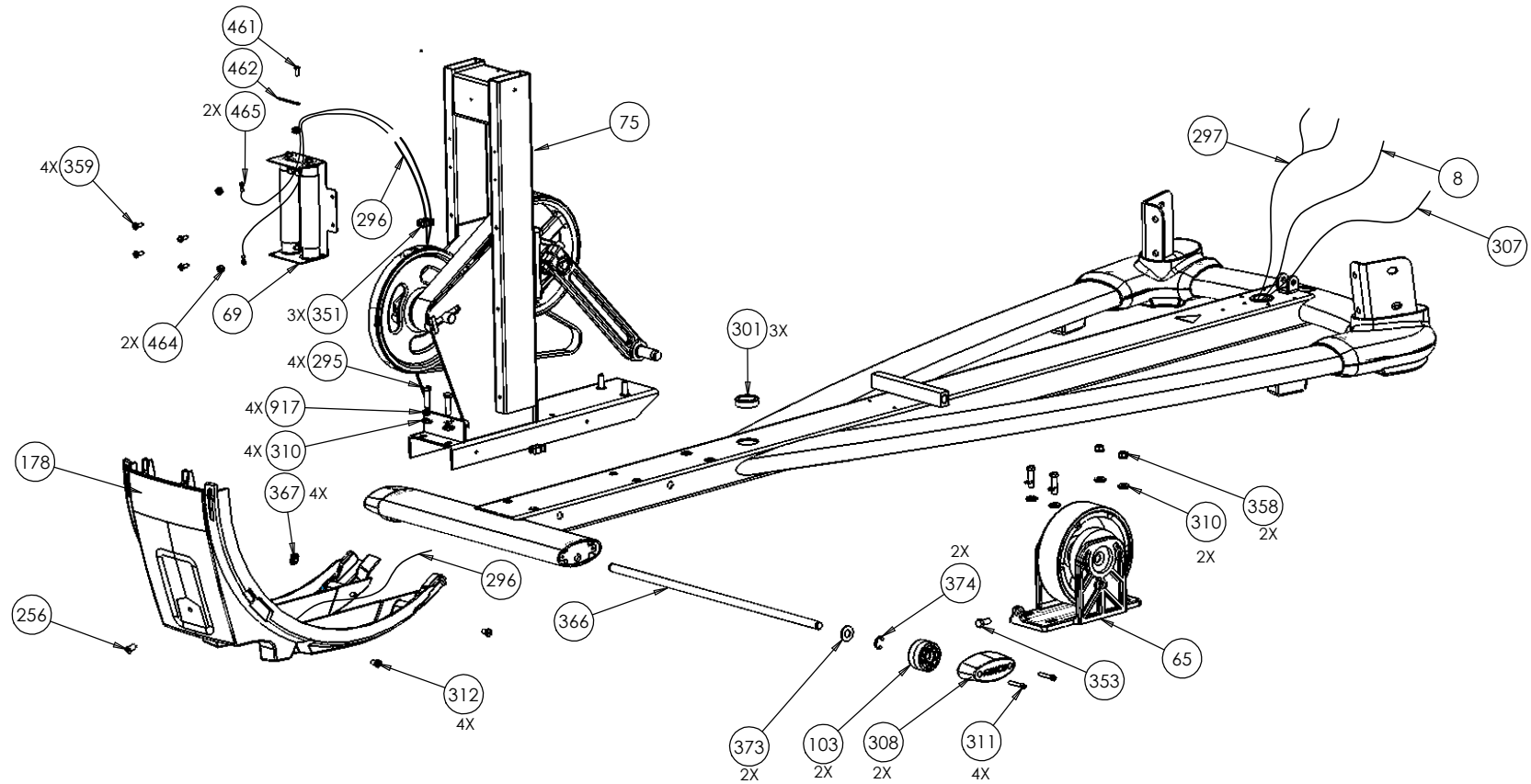
C5461	P/N : 49008-101	SUBREV : J
DRAWN BY : GRANADOSIN	DATE : 05.02.08	SHEET 1 OF 9

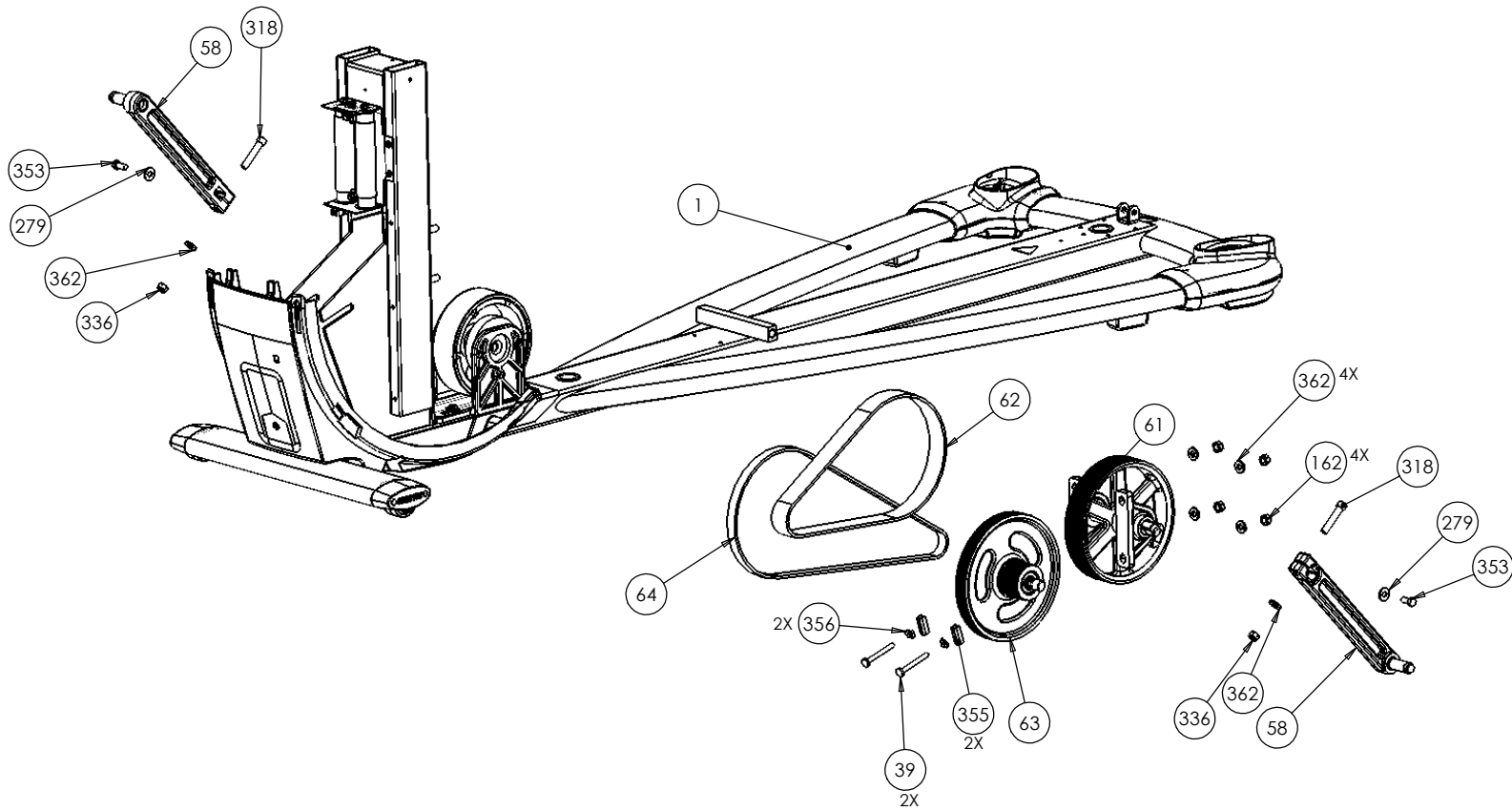


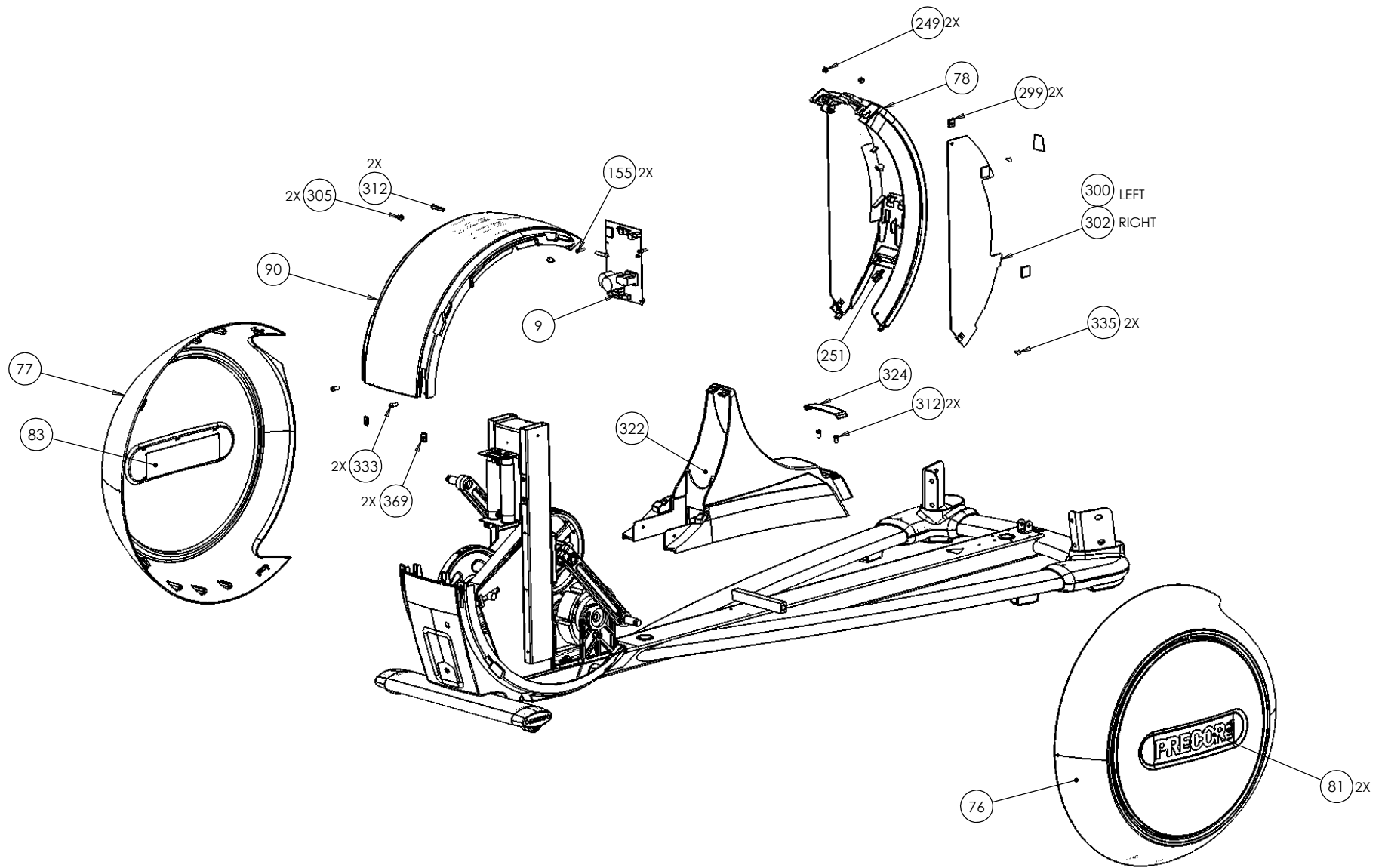


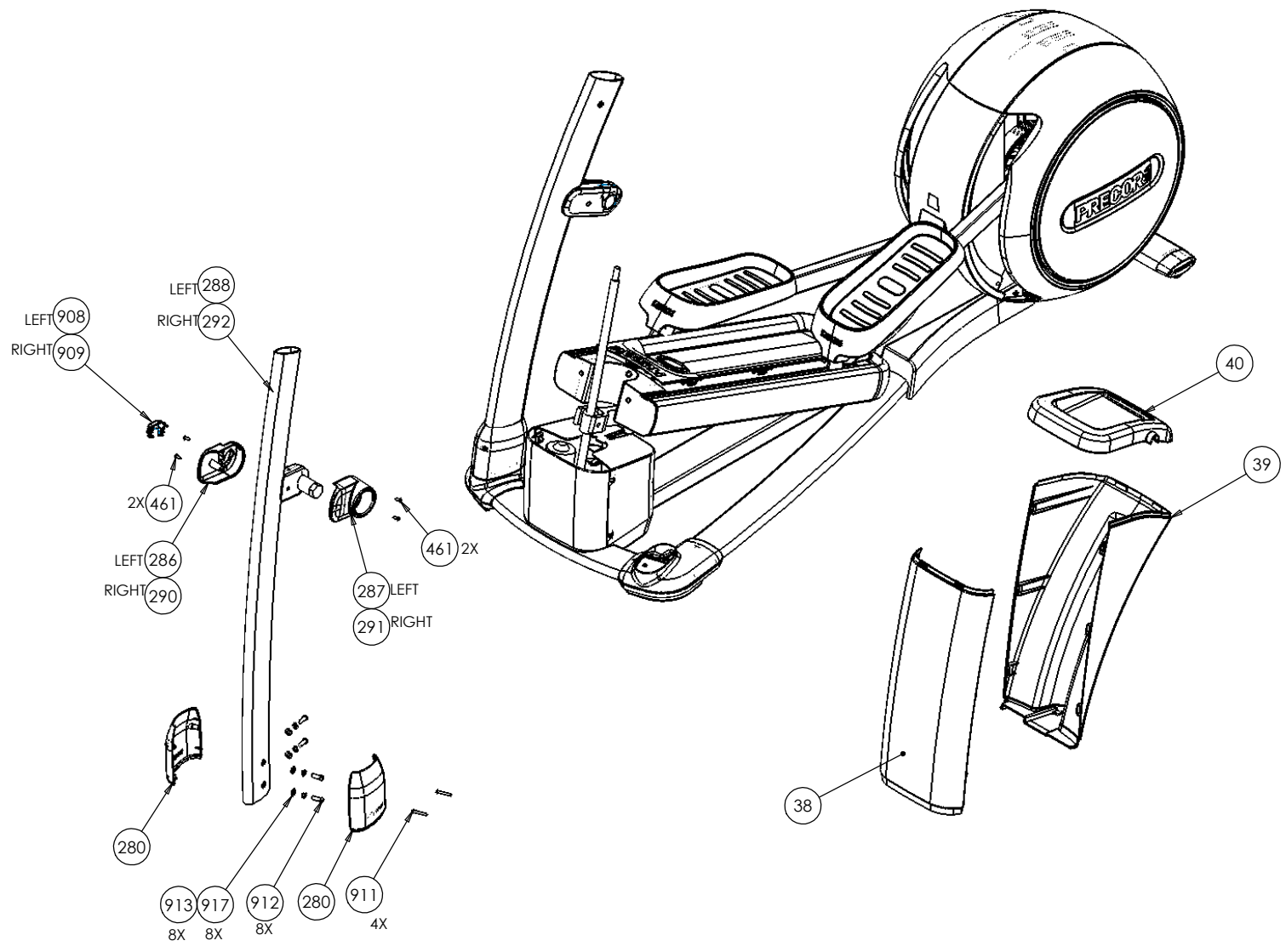












C546i (version 3)(serial code AJME, AMTE, ATRE)		
Part Number	Description	Bubble Number
PPP000000048434403	PCA,DISPLAY,CL	4
PPP000000049267109	ASSY, UPPER PCA & SW, C546I, CL, W/	4.01
PPP000000049243111	ASSEMBLY, DISPLAY PANEL/LABELS, C54	6
PPP000000044905028	ASSY,CBL,MOD,8P8C,1-1,28"	7
PPP000000044905152	ASSY,CBL,MOD,8P8C,1-1,152"	8
PPP000000049444101	ASSY, LOWER PCA & SW, LCSPAM EFX, 6	9
PPP000000048536402	PCA, DISPLAY C, LEG MAN	15
PPP000000039797102	ACTUATOR, LIFT,SELF POWERED EFX, W/	16
PPP000000048896101	ASSY, HANDLEBAR, C546I, LEFT	21
PPP000000048896102	ASSY, HANDLEBAR, C546I, RIGHT	22
PPP000000049420401	SW, EFX, LCSPAM LOWER, 6-PHASE, W/L	27
PPP000000011415102	COUPLER,MOD,8P8C,INLINE,SNAP-IN	29
PPP000000043579108	ASSY BOARD, CHR, CONTACT PRIORITY/	32
PPP000000042713102	HHHR SENSOR, TOP	33
PPP000000042714102	HHHR SENSOR, BOTTOM	34
PPP000000048874101	WELDMENT, DISPLAY-C MOUNT, C546I	37
PPP000000039737101	LIFT COVER, FRONT	38
PPP000000039736102	LIFT COVER, REAR	39
PPP000000039738101	CROWN, LIFT COVER	40
PPP000000049717014	ASSY, CABLE, HHR TO DISPLAY, 14"	41
PPP000000039874101	DOUBLE ADHESIVE FOAM TAPE 1" X 4"X1	42
PPP000000049061006	ASSY,CABLE,HHR INTERFACE,DISCRETE,	43
PPP000000039776102	ASSEMBLY, RAMP, EFX	44
PPP000000039779102	ASSY, RAMP PIVOT	45
PPP000000039783101	ASSY, LIFT NUT AND YOKE	46
PPP000000050590102	STAIRARM ASSEMBLY, C546I, STRAIGHT	47
PPP000000012262102	WIRE CLIP,FOAM TAPE BACK	48
PPP000000048336101	WHEEL,OVERMOLDED,BLACK	49
PPP000000039750102	FOOT PEDAL, REXAPEX	50
PPP000000048712102	BOOK SUPPORT, DISPLAY-C, MAKROBLEND	51
PPP000000039833102	ASSEMBLY, CRANK ARM, COMMERCIAL, 10	58
PPP000000039825101	ASSEMBLY, DRIVE INPUT SHAFT WITH BE	61
PPP000000010217138	BELT, DRIVE, 360J16 POLY V	62
PPP000000045974101	ASSY,STEP-UP,17:1 DRIVE,EFX	63
PPP000000010217139	BELT, DRIVE, 460J8 POLY V	64

PPP00000050595101	KIT,GENERATOR,6 PHASE W/PRESSED ON	65
PPP00000039769102	ASSEMBLY, RESISTOR W/MINI-FIT CABLE	69
PPP00000012258070	BATTERY,SLA,12V,7AH,.187 TABS	72
PPP00000039820102	BRACKET, BATTERY MOUNT, C556I RX,	73
PPP00000039701101	ASSEMBLY, DRIVE WELDMENT, C576I	75
PPP00000039731102	ASSEMBLY, SIDE COVER , RH	76
PPP00000039731101	ASSEMBLY, SIDE COVER ,LH	77
PPP00000039864102	ASSY, REAR COVER, FRONT	78
PPP00000039792101	LABEL, EFX COVER, REAR	81
PPP00000048174102	LABEL, WIRING DIAGRAM, EFX, SELF-PO	83
PPP00000039916102	FOOT, ADJUSTING	86
PPP00000031074103	FOOT, FIXED, SP TREAD	87
PPP00000039868101	ASSY, REAR COVER, TOP	90
PPP00000011075110	FUSE,6.30A,250VAC,SLOW,RADIAL	92
PPP00000039744102	WHEEL, TRANSPORT, MOLDED	103
PPP00000049805101	D-PAD PCA LOCK CLIP	150
PPP00000048947152	ASSY, PCA & SW, DISPLAY-C, METRICS,	151
PPP00000048707101	BACK PANEL, DISPLAY-C, W/O USB	152
PPP00000048713101	TOP, DISPLAY-C, BLANK	153
PPP00000048714101	ACCESS PANEL, HEADPHONE JACK	154
PPP00000MGCN016100	MACHINE SCREW, 8-32 X 1, PAN HEAD	155
PPP00000048769111	D-PAD, 5 BUTTON, EFX, ICON	156
PPP00000048602005	ASSY,CABLE,6C,.1 CTR,1-1,GOLD,5"	157
PPP00000048602009	ASSY,CABLE,6C,.1 CTR,1-1,GOLD,9"	158
PPP00000KGCN038033	LOCKNUT, STARWASHER, 3/8-16	162
PPP00000049003401	PCA, SNAPDOME D-PAD	163
PPP000000049364101	ASSY, WATER BOTTLE HOLDER	175
PPP000000048708102	REAR COVER, DISPLAY-C, W HANDLEBAR	177
PPP000000039819102	ASSEMBLY, REAR COVER BOTTOM	178
PPP00000CCNN016150	SCREW,SKHD,8-32X1 1/2,SS	183
PPP000000012628101	INSERT, SQUARE, NYLON	191
PPP00000CATN025088	SCREW,SKHD,1/4-20X7/8,BLK SHARPERIZ	201
PPP00000WPNN026003	WASHER, FLAT, .255 X .468 X .029, S	202
PPP000000039741101	RAMP END CAP, REAR	203
PPP000000039778101	CHANNEL, RAMP, EFX	204
PPP000000039850101	T-NUT	205
PPP00000TBTN019038	SCREW,BTHD,10-32X3/8,BLK SHARPERIZE	206

PPP0000KAENN025024	NUT,HEX,1/4-20,NYLON	249
PPP000000011278101	CABLE CLAMP,INSERT	251
PPP000000039806101	LABEL, SIDE ELIPTICAL,REXAPEX	253
PPP000000010136103	CLIP,U TYPE, TINNERMAN, 1/4-20	254
PPP000000039727101	REX BOTTOM COVER, REAR	255
PPP000000048486102	RIVET,PLASTIC, CHRISTMAS TREE, .50	256
PPP000000012647101	PALNUT, SELF THREADING NUT, REG. TY	277
PPP00000HECE031050	SCREW, HEX, 5/16-18 X 1/2, ZINC	278
PPP00000WCCN031008	WASHER, FLT, 5/16X.875X.083	279
PPP000000039873101	ASSY, TARGA BOOTS	280
PPP00000WNNN032009	WASHER,FLT, .321X1.00X.090 THK	282
PPP000000057026102	EFX REAR TRANSPORT WHEEL HARDWARE U	285
PPP000000039747101	PIVOT COVER, INNER, LH	286
PPP000000039747102	PIVOT COVER, OUTER, LH	287
PPP000000039761105	WELDMENT, UPRIGHT, LH,PT	288
PPP000000039747103	PIVOT COVER, INNER, RH	290
PPP000000039747104	PIVOT COVER, OUTER, RH	291
PPP000000039761106	WELDMENT, UPRIGHT, RH,PT	292
PPP00000MGCN016038	SCREW,MCH,8-32X3/8,PANHD,PHIL,	294
PPP00000HCCN031125	SCREW,HEX,GR 5,5/16-18X1.25,ZN	295
PPP000000047840033	CBL, 2C,16 AWG, MINI-FIT PLUG/250 X	296
PPP000000045334080	ASSY,CBL,18AWG,FLAG QC CONN,80"	297
PPP00000WBCN050010	WASHER, FLT, 1/2, ID=.531,	298
PPP000000010136101	CLIP, U TYPE, TINNERMAN, #8	299
PPP000000039862103	ASSY, COVER, REAR CURTAIN, LH	300
PPP000000010178112	BUSHING, SNAP	301
PPP000000039862104	ASSY, COVER, REAR CURTAIN, RH	302
PPP00000ABHN017001	RING, RETAINER, EXTERNAL	303
PPP00000CATN050200	SCREW, SKHD, 1/2-13 X 2.00, BLACK S	304
PPP00000TACN025150	SCREW,BTHD,1/4-20X1-1/2,ZN	305
PPP00000PMTN016050	SCREW,TCS,#8X1/2,PHIL,BLK SHARPERIZ	306
PPP000000045205078	ASSY,CBL,18AWG,6P5C,MINI-FIT,78"	307
PPP000000039786101	WHEEL, COVER, REAR	308
PPP000000043798103	SHAFT, PIVOT BLOCK, C5X6-NC	309
PPP00000WBANN034013	WASHER,FLAT,ID=11/32,OD3/4,TH=.125,	310
PPP00000CATN019125	SCREW, SKHD,10-24 X 1.25,BLK SHARPE	311
PPP00000PANTN025050	SCREW,S/T,#1/4-20X1/2,PANHD,PHIL,TR	312

PPP00000039816101	TARGA BOOT, LOWER,LEFT	313
PPP00000010401107	PIN, CLEVIS, 3/8 X 2.13, ZINC	314
PPP00000PGTN016063	SCREW,S/T,#8X5/8,TRS,PHIL,BLK SHARP	315
PPP00000PKCN019075	SCREW,S/T,#10X.75,WSHHXHD,ZN	316
PPP00000PMTN016050	SCREW,TCS,#8X1/2,PHIL,BLK SHARPERIZ	317
PPP00000CAMN038200	SCREW,SKHD,3/8-16X2,ZN (MECH PLATIN	318
PPP000000039816102	TARGA BOOT, LOWER,RIGHT	319
PPP000000039817103	TARGA BOOT, UPPER, LEFT	320
PPP000000010400103	PIN, HITCH, .093 DIA, ZINC, #203	321
PPP000000039729102	REX WEDGE, REAR	322
PPP000000039817104	TARGA BOOT, UPPER, RIGHT	323
PPP000000039730101	REAR COVER ACCESS	324
PPP000000039734101	LIFT PEDESTAL, FRONT	325
PPP000000039742101	RAMP END CAP, FRONT	326
PPP000000039784101	ASSY, LIFT PEDESTAL, REAR	327
PPP0000WAGNN062001	WASHER, WAVE, .87 OD X .62 ID	328
PPP000000039791101	ASSY, RAMP, CENTER COVER	330
PPP00000TFTN025075	SCREW,BTHD,1/4-20X3/4,BLK SHARPERIZ	333
PPP00000PGTN016063	SCREW,S/T,#8X5/8,TRS,PHIL,BLK SHARP	335
PPP00000KDCN038034	LOCKNUT, FULL, 3/8-16, BLK ZN	336
PPP00000HCCN038275	SCREW,HEX, GR5,3/8-16X2 3/4, ZN	339
PPP00000PMTN016088	SCREW,TCS,#8X7/8,PHIL,BLK SHARPERIZ	340
PPP000000048882102	CLAMP, HANDLEBAR, DISPLAY-C	345
PPP00000KGCN031027	LOCKNUT,STARWASHER,5/16-18,1/2	346
PPP000000011278101	CABLE CLAMP,INSERT	351
PPP00000HCCN031075	SCREW, HEX HD, GRADE 5, 5/16-18 X .	353
PPP000000037385101	BRACKET, TENSIONER	355
PPP000000037855103	TAB, LOCKING	356
PPP00000HACN025250	SCREW,1/4-20X2-1/2,HEX,GR 2,ZN	357
PPP00000KGCN031027	LOCKNUT,STARWASHER,5/16-18,1/2	358
PPP00000PKCN019050	SCREW,S/T,#10X1/2,WSHHXHD,ZN	359
PPP00000WRCN038011	WASHER,GRADE 8,3/8,13/32 ID,13/16OD	362
PPP000000039746101	SHIELD, TARGA REAR	363
PPP000000039745101	SHIELD,TARGA FRONT	364
PPP000000049722102	AXLE,WHEEL,EFX	366
PPP000000012716101	CABLE CLIP, DIE COMPANY	367
PPP000000010136103	CLIP,U TYPE, TINNEMAN, 1/4-20	369

PPP00000HDCN088225	SCREW,HEX,GR 5, 7/8-14 X 2-1/4,ZN	370
PPP00000TFTN025075	SCREW,BTHD,1/4-20X3/4,BLK SHARPERIZ	371
PPP00000MGCN016100	MACHINE SCREW, 8-32 X 1, PAN HEAD	372
PPP00000WBCN050010	WASHER, FLT, 1/2, ID=.531,	373
PPP00000AEHN050004	E-RING,.50 DIA X .42 THICK	374
PPP00000PMTN016050	SCREW,TCS,#8X1/2,PHIL,BLK SHARPERIZ	461
PPP000000012103101	CLAMP,CABLE,VINYL COATED	462
PPP00000KNCN019013	NUT,HEX,10-32,ZINC	464
PPP000000048133015	ASSY,CBL,2C,HIGH TEMP,16AWG,#10 RIN	465
PPP0000000057023101	REPAIR KIT, EFX FRAME RAMP PIVOT	500
PPP00000TCNN016075	SCREW, BTHD, 8-32X.75,SS	501
PPP000000010115113	O-RING, ROUND, 1.25ID X .139	502
PPP000000047109033	ASSY,CABLE,HHR RIGHT GRIP,W/SHIELD	503
PPP00000WCCN038008	WASHER, FLT, 3/8X1.00X.083	504
PPP000000047108033	ASSY,CABLE,HHR LEFT GRIP,W/SHIELD,	505
PPP000000048929220	GRIP,HANDLEBAR,EXTRUDED VINYL,22" L	508
PPP000000048929053	GRIP, HANDLEBAR, EXTRUDED VINYL, 5.	509
PPP000000048929135	GRIP, HANDLEBAR, EXTRUDED VINYL, 13	510
PPP000000049066103	KIT, HARDWARE, C546I, DISPLAY-C	901
PPP000000039830108	COVER, HANDLEBAR ATTACH, INNER	906
PPP000000039830105	COVER, HANDLEBAR ATTACH	907
PPP000000039834101	CAP,PIVOT AXLE, LH	908
PPP000000039834102	CAP,PIVOT AXLE, RH	909
PPP000000048831101	WRENCH, HANDLEBAR BOLT	910
PPP00000PMTN016150	SCREW, SELF TAPPING,#8 X 1.50, PHIL	911
PPP00000TAMN031100	SCREW,BTHD,5/16-18X1, ZN (MECH PLAT	912
PPP00000WBCN031007	WASHER,FLT,5/16X.688X.065, ZN	913
PPP00000MGCN016075	SCREW,MCH,8-32X3/4,PANHD,PHIL,	916
PPP00000WALCN031008	WASHER, 5/16 SPLIT LOCK, ZINC	917
PPP000000049098109	LITERATURE KIT, C546I DISPLAY-C, EN	999